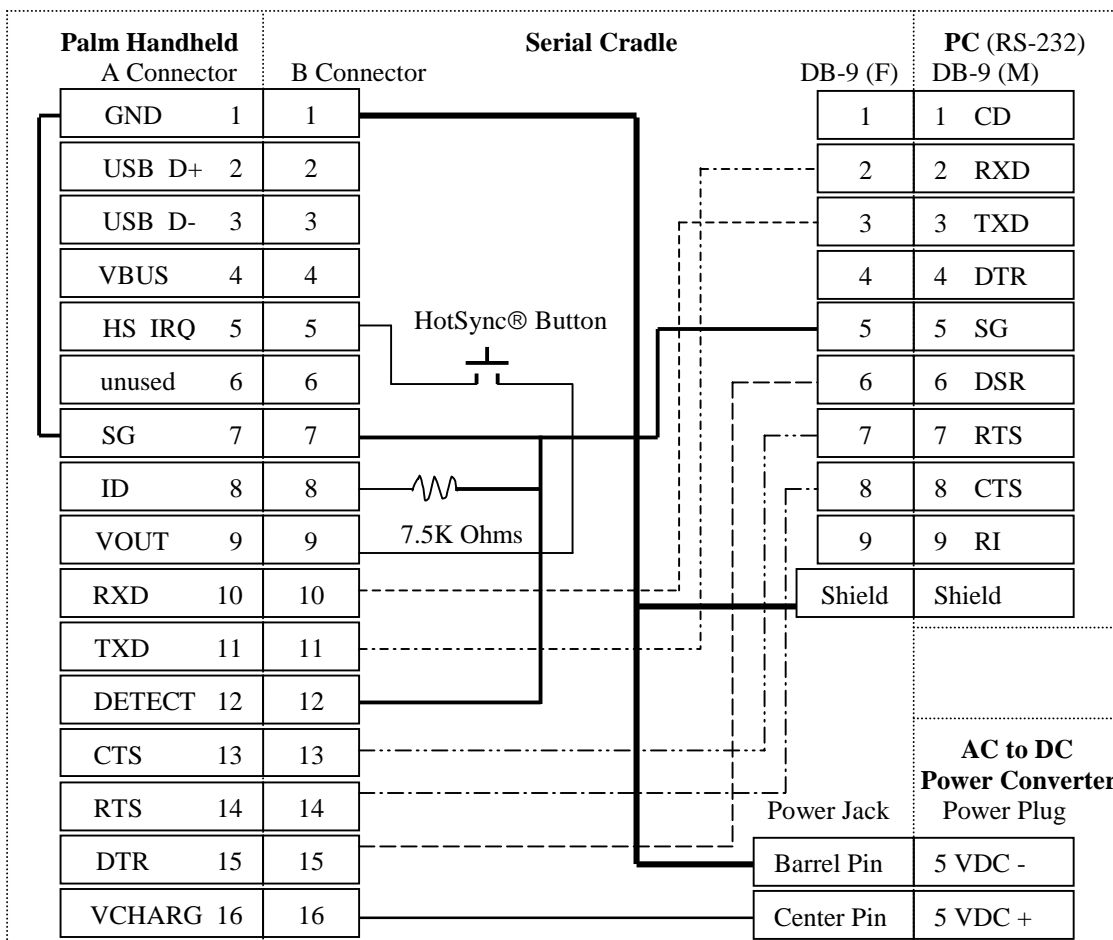
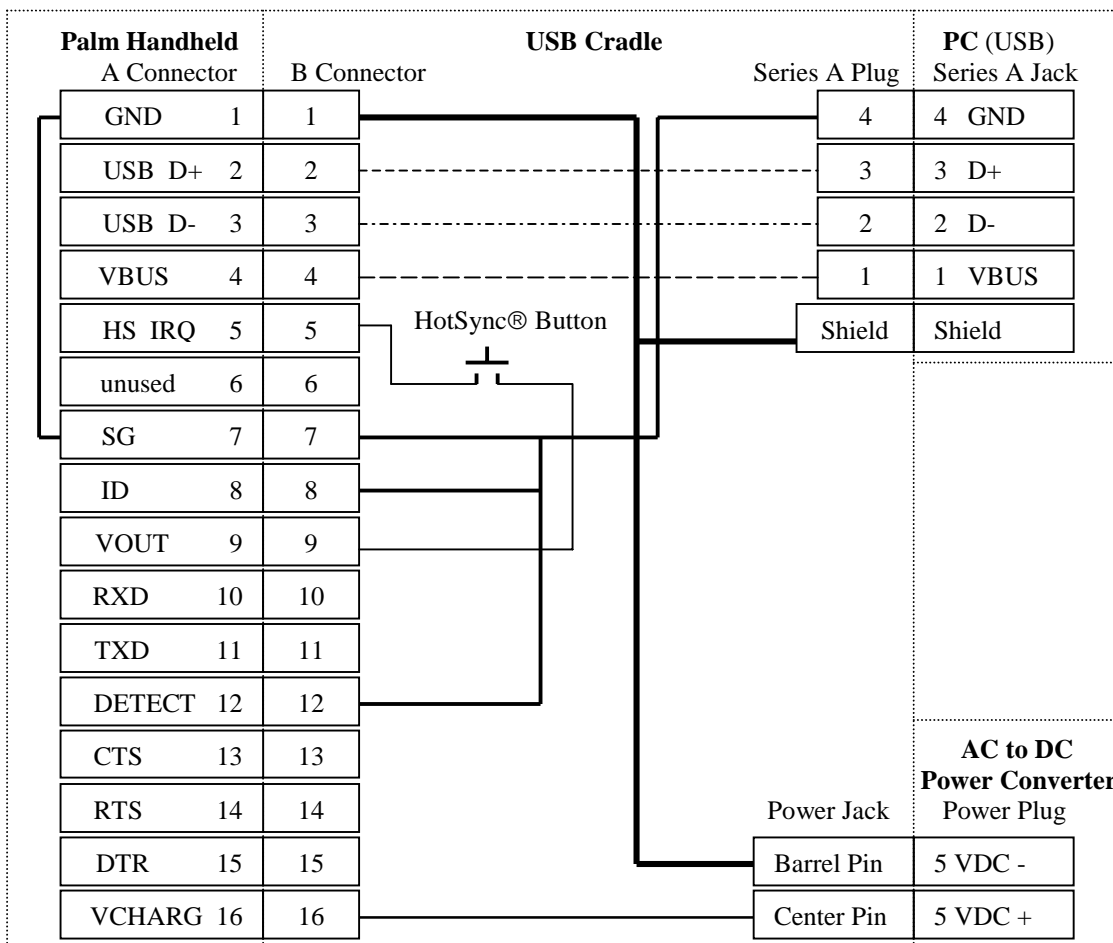


# Electrical Interface (16-Pin) Connections for Palm Handhelds



# Electrical Interface (16-Pin) Connections for Palm Handhelds

